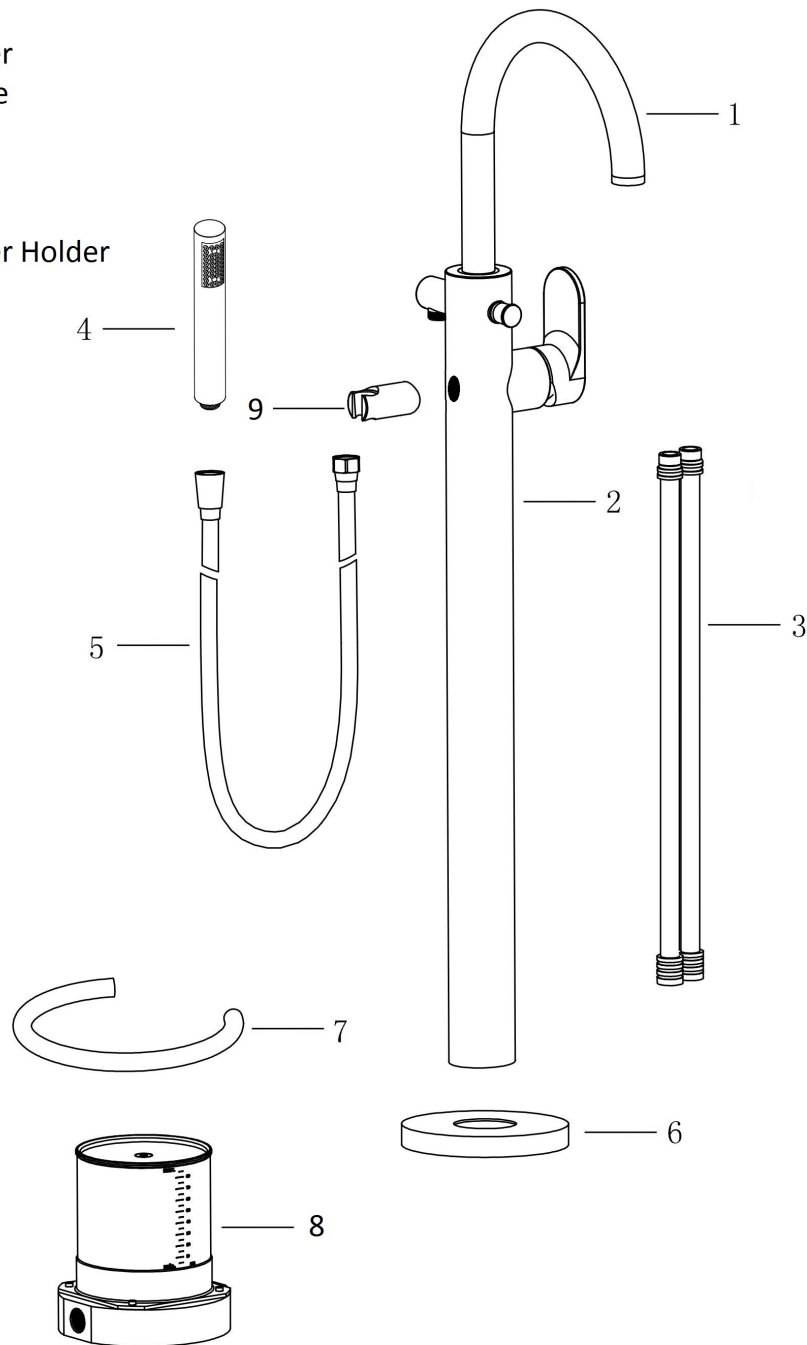


Please read the instructions completely before beginning the installation.

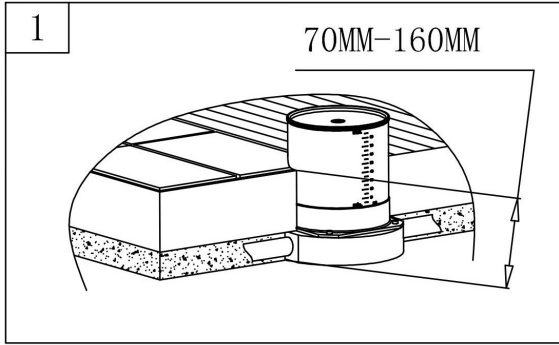
1. Spout
2. Body
3. Supply Hose
4. Hand Shower
5. Shower Hose
6. Flange
7. Drain-Pipe
8. Rough Body
9. Hand Shower Holder



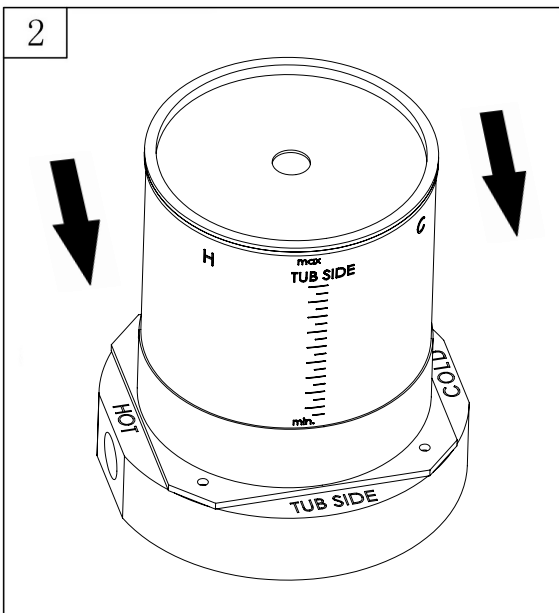
The measurements shown are for reference only. Products and specifications shown are subject to change without notice.

www.santecfaucet.com | P: 310.542.0063 F: 310.542.5681

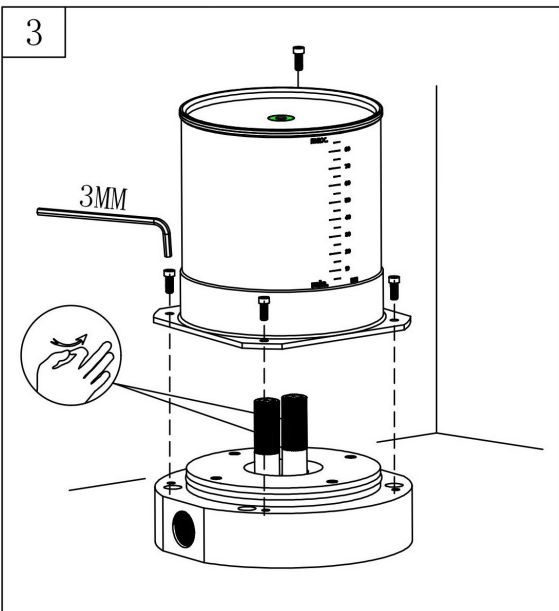
ROUGH INSTALLATION INSTRUCTION



-The depth, measured from the floor, should be between 70mm-160mm (2.75"-6.30").



-Orient the Rough Body so that "TUB SIDE" on the mudguard and rough is facing the tub.

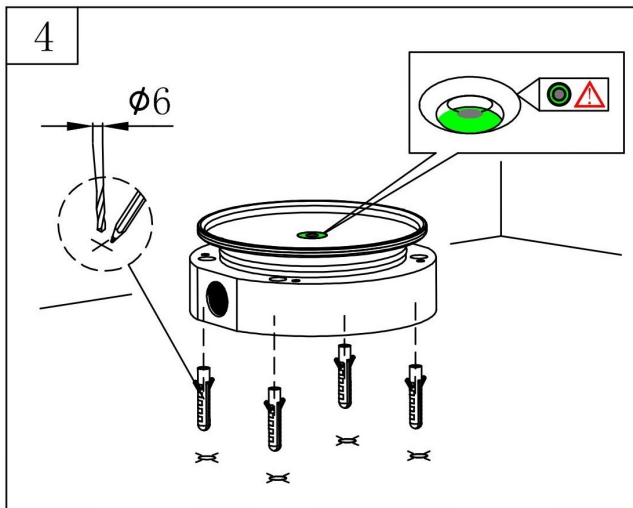


-Take off the mud guard by removing the four screws. Rotate counter-clockwise to remove the two stop plugs.

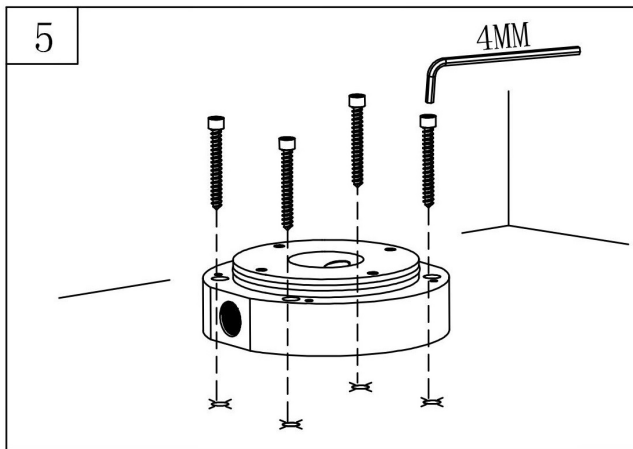
The measurements shown are for reference only. Products and specifications shown are subject to change without notice.

www.santecfaucet.com | P: 310.542.0063 F: 310.542.5681

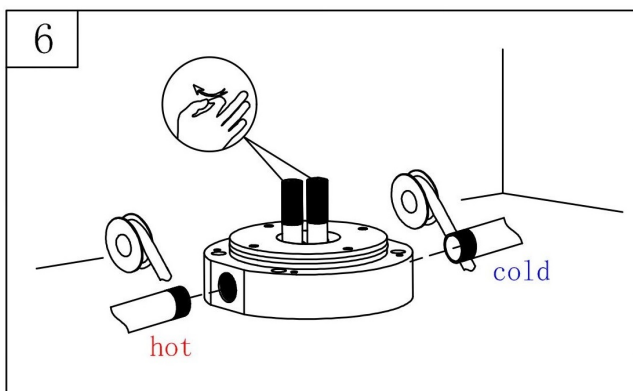
ROUGH INSTALLATION INSTRUCTION



-Measure and mark the distance of the Rough Body holes. Then drill the holes. Use the leveler on the mud guard cover to ensure the Rough Body is evenly leveled.

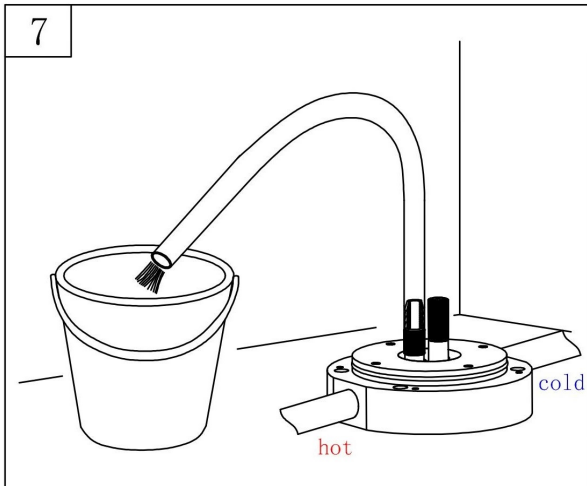


-Fix the Rough Body with 4mm Allen screws and tighten with its respective Allen wrench to the ground.

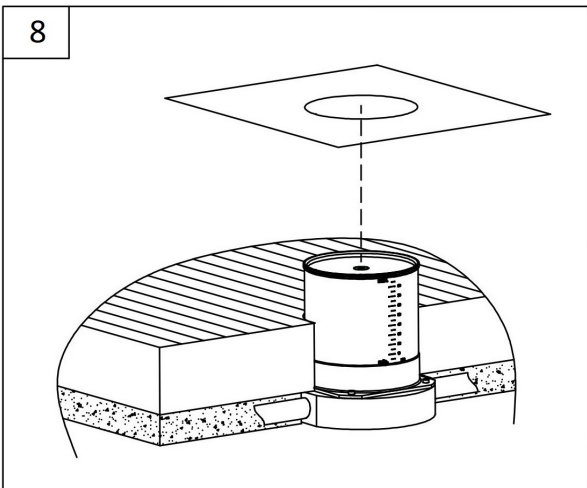


-Wrap the threaded section of the hot & cold supply hose with Teflon tape (not included). The hose's pipe size must be $\frac{1}{2}$ " male NPT. Connect the hot & cold supply hose to the Rough Body by screwing them in to the inlet. Install the stop plugs and test for leakage to ensure proper connection.

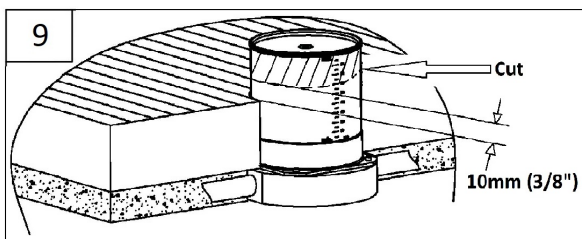
ROUGH INSTALLATION INSTRUCTION



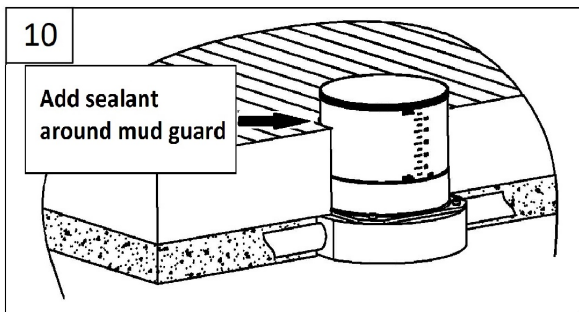
-Install the flush plug and insert it into the Drain-Pipe. Keep a stop plug on the opposite outlet of the rough. Put the open end of the Drain-Pipe into a bucket. Turn on the water supply to flush. Repeat on the opposite side.



-Install the two stop plugs back and install the mud guard. Ensure mud guard's "TUB SIDE" is facing the tub. Then place the floor tiles.



-Cut the mud guard so that it extends 10mm (3/8") above the surface of the finished floor.

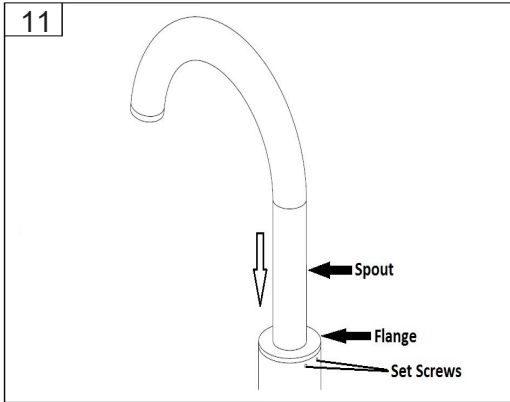


-Use silicon caulk to glue and seal around the mud guard to hold the Rough Body in place.

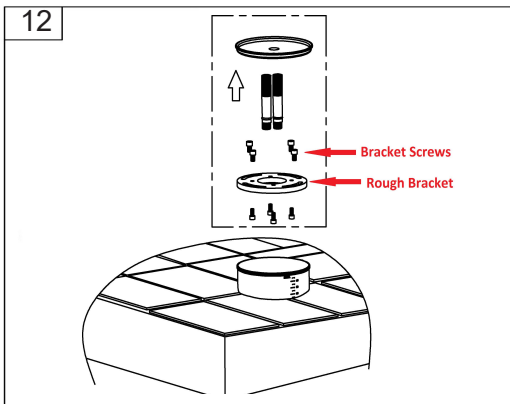
The measurements shown are for reference only. Products and specifications shown are subject to change without notice.

www.santecfaucet.com | P: 310.542.0063 F: 310.542.5681

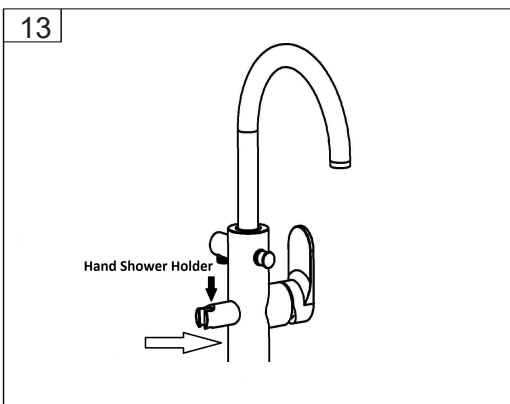
TRIM INSTALLATION INSTRUCTION



-The spout will be included separately. To install the spout, insert the flange into the top of the tub filler with the front spout facing in the same direction as the diverter knob. Secure the spout with two set screws that is already installed in the two screw holes.

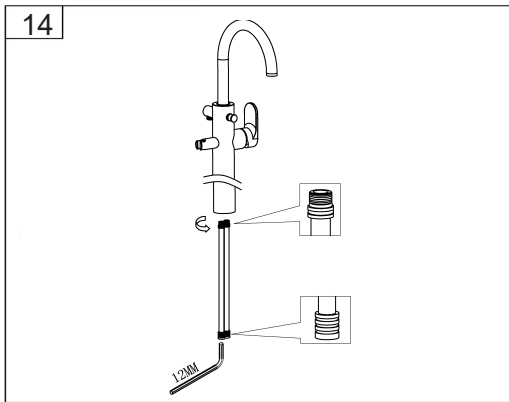


-Turn off the water supply. Remove the mud guard cover. Rotate counter-clockwise to remove the two stop plugs. Remove Bracket Screws that hold the Rough Bracket. Take the Rough Bracket out.

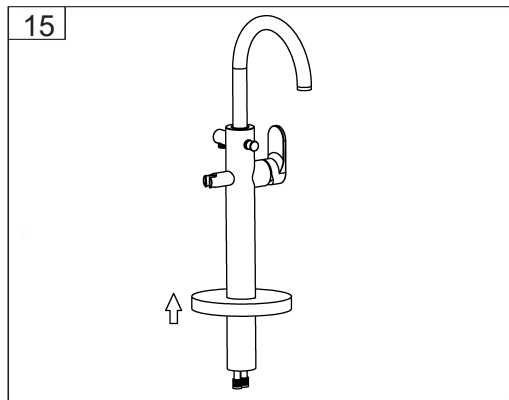


-Install the hand shower holder with the included screw.

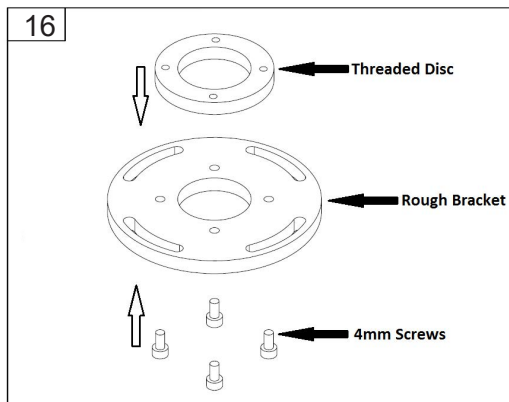
TRIM INSTALLATION INSTRUCTION



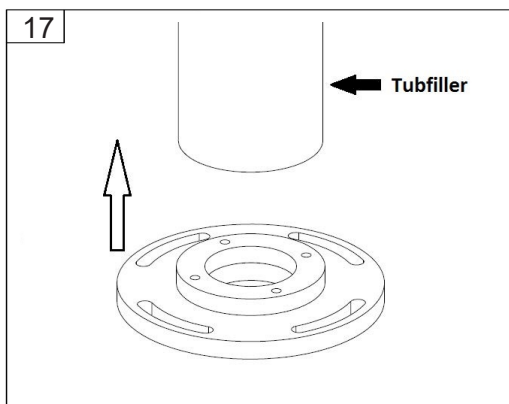
-Screw the supply tubes with a 12mm Allen wrench. The threaded portion of the tube should be inserted first into the tub filler. The supply tubes are color coded red and blue for HOT and COLD respectfully. Make sure that they are connected to their respective color coded inlet.



-Insert the flange onto the tub filler.



-Attach the small, Threaded Disc to the Rough Bracket with screws using 4mm Allen wrench.

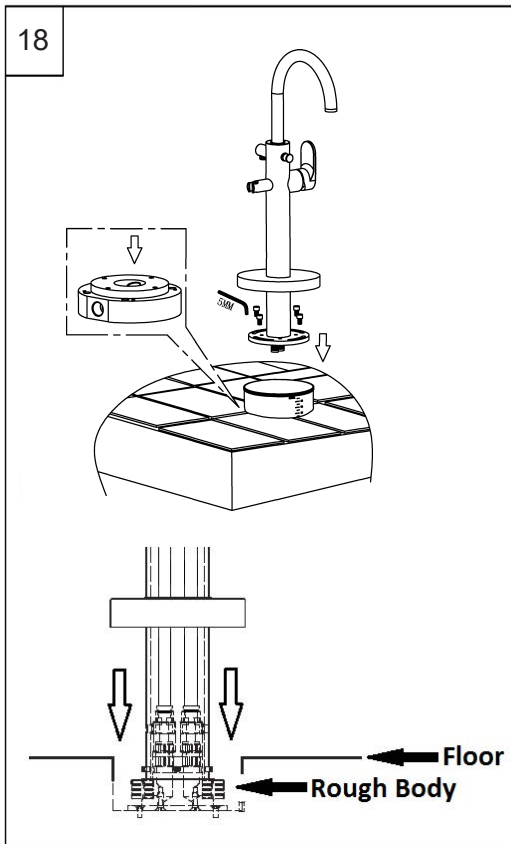


-Screw the Rough Bracket onto the bottom of the tub filler.

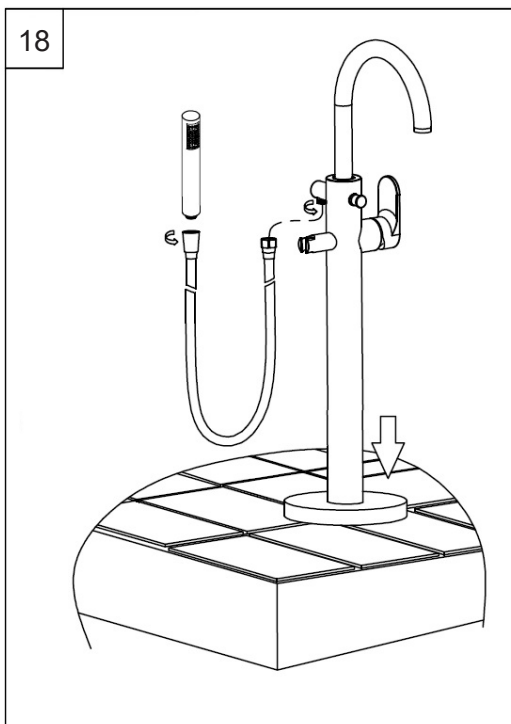
The measurements shown are for reference only. Products and specifications shown are subject to change without notice.

www.santecfaucet.com | P: 310.542.0063 F: 310.542.5681

TRIM INSTALLATION INSTRUCTION



-Install the tub filler into the Rough Body by aligning HOT (red) and COLD (blue) supply tubes into matching color outlets in Rough Body. Press down firmly to ensure seal. Ensure the spout is facing the tub. Use the screws to mount the rough bracket with a 5mm Allen wrench.



-Push the flange down to the floor. Install the six-sided part of the shower hose to the hose outlet of the tub filler. Install the hand shower to complete installation.