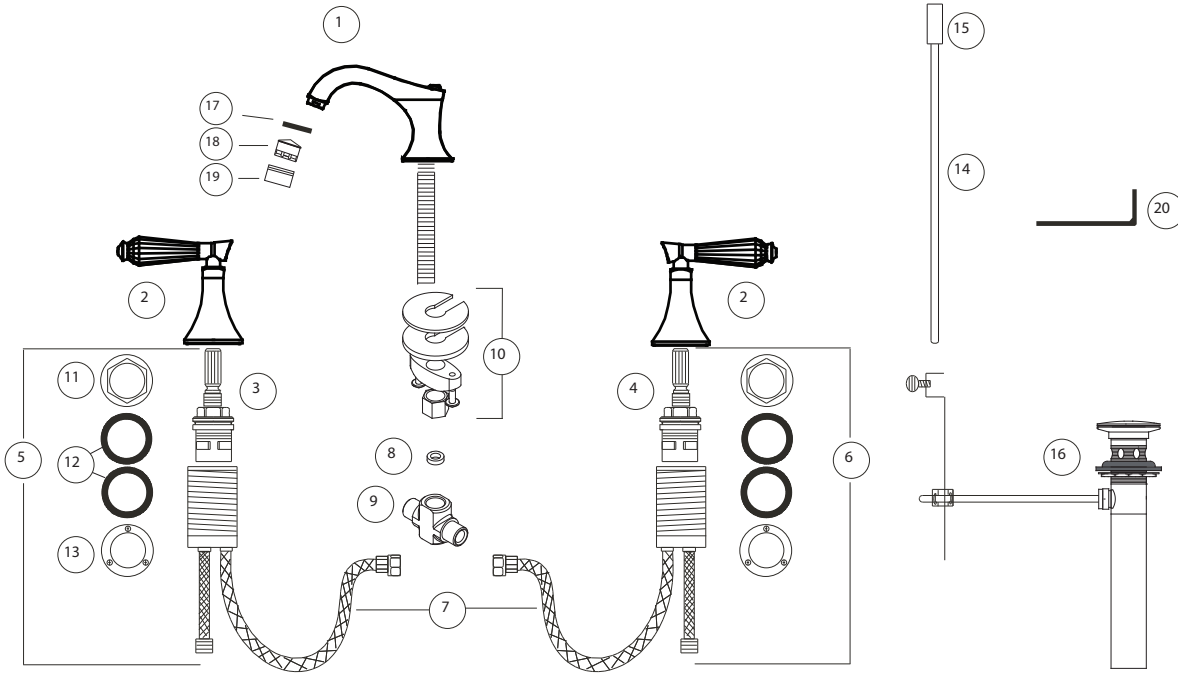




KEEP THIS INSTRUCTION BOOKLET FOR FUTURE REFERENCE

Important: Santec reserves the right to request additional documents before servicing warranty requests.

Parts Breakdown



#	PART DESCRIPTION	PART #	#	PART DESCRIPTION	PART #
1	Complete Spout Assembly *	PS-2ED00-U	11	Brass Nut	PM-341
2	Complete Handle Assembly *	YY-ED, YY-DC, or YY-DB**	12	Fiber Washer	PM-332
3	Hot Cartridge Only	P0410	13	Hexagonal Nut & Screws for Hexagonal Nut	PM-607 PM-617
4	Cold Cartridge Only	P0411	14	Lift Rod *	P0264
5	Complete Hot Valve	P0458	15	Lift Knob *	P00001
6	Complete Cold Valve	P0459	16	Complete Pop-Up *	9002PP
7	Connecting Hose to the Tee	P0441	17	Aerator Washer	PM-510
8	Washer for Tee Connector	PM-074	18	Aerator Basket with Restrictor Aerator	PM-320
9	Tee Connector	P0427	19	Housing *	P0961
10	Spout Mounting Hardware	P0431	20	Allen Key for Handle Set Screws	PM-033

* Please specify the finish when ordering the part.

** Please specify handle assembly when ordering the part.

Spout

Flush both supply lines before installation. After flushing shut off both supply lines.

Hole size for the spout and handle trim is a minimum of 1¼" and a maximum of 1½".

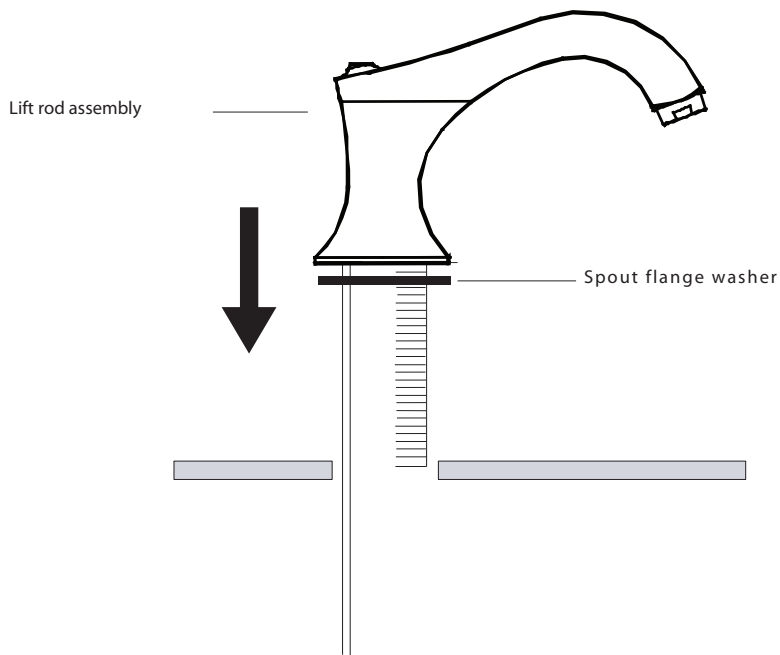
Spout Installation (1)

Remove tee connector and spout mounting hardware from spout.

Slip the lift rod and lift knob assembly into the back of the spout.

Apply a ring of silicone caulking around hole designated for spout. Do not use plumber's putty which can damage the finish of your faucet.

From the top of the sink or counter insert the spout's threaded shank through the center hole of the sink. Make sure the spout flange washer (if provided) is properly placed under-neath the flange and snugly pressed against the sink top.

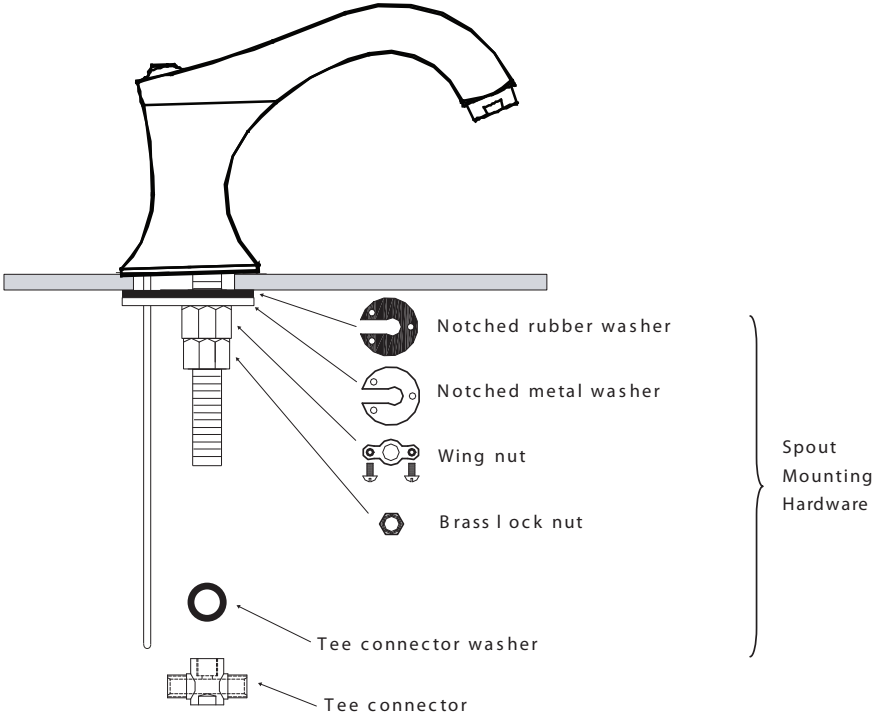


Spout

Spout Installation (2)

From below, slip notched washer and gasket over spout shank. Align notched washer and gasket to allow lift rod to pass through. Attach wing nut and brass lock nut. Secure spout by tightening the two screws on wing nut. Thread tee connector and washer to spout shank and tighten to seal.

Wipe away any excess silicone from around the spout flange area.



*Illustration may not depict actual products

Handle Trim

NOTE: For proper handle turning direction, install the valve with the “cold” blue label at the right side of sink (looking from front) and the handle with the “hot” red label at the left side of the sink.

Handle Trim Installation (1)

Remove all handle trim from the valve (lever, escutcheon, and flange).

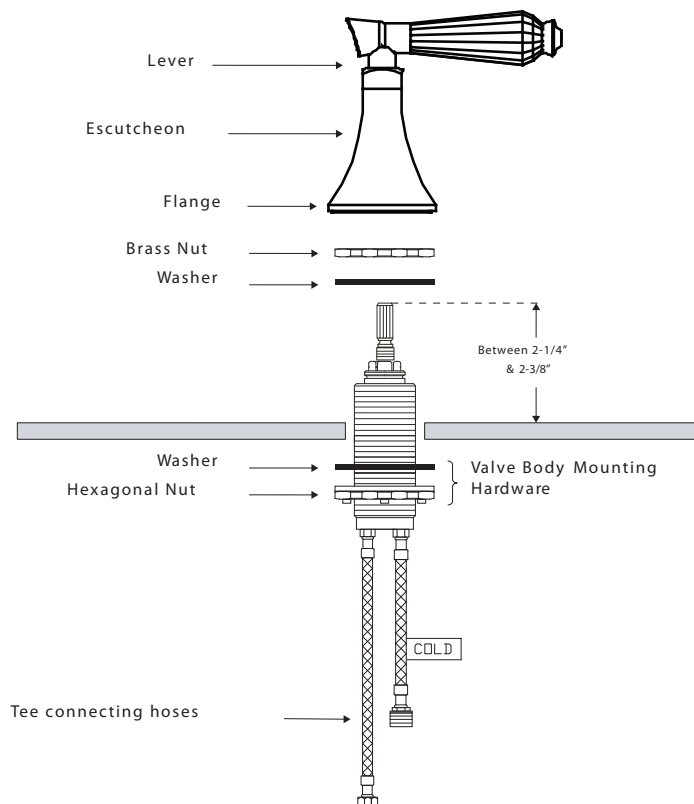
Remove the brass nut and washer and move the valve body mounting hardware down the valve body a few inches.

NOTE: Keep the tee connecting hoses pointed toward the spout while securing the handle valves.

From under the sink or counter, slip the valve body up through the appropriate hole next to the spout. From the top, slip the washer over the valve and screw the brass nut back down until the valve sits on the sink or counter surface at the measurement given in the diagram below.

From below, firmly tighten the hexagonal nut and washer.

Finally, firmly tighten the three hexagonal nut screws.



Handle Trim

Handle Trim Installation (2)

Apply a ring of clear silicone caulking around the valve. This is where the flange will sit.

IMPORTANT: Do not use plumber's putty which can damage the finish of your faucet.

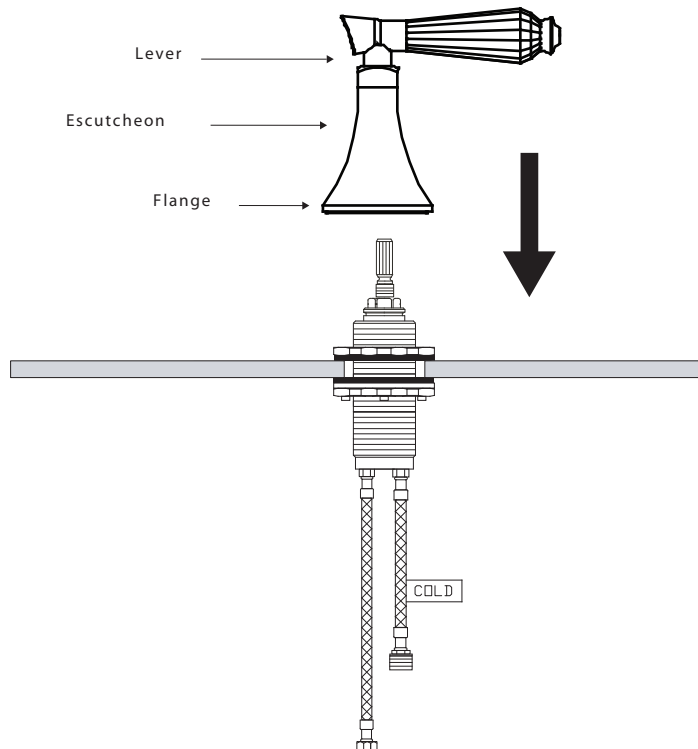
Slip the flange over the valve and set it into the silicon.

Hand tighten the escutcheon onto the valve until it is firmly secured over the flange. Make sure the escutcheon and flange are sealed together and are secured tightly to the counter or sink surface.

NOTE: In the "off" position the "Hot" lever should be in the 9 o'clock position and the "Cold" lever should be in the 3 o'clock position. Both levers should turn in towards you when turning water "on".

Fit the lever onto the broach in the proper position, as stated above. Once positioned, secure by tightening the set screw with the Allen key provided.

Wipe away any excess silicone from around the handle flange area.



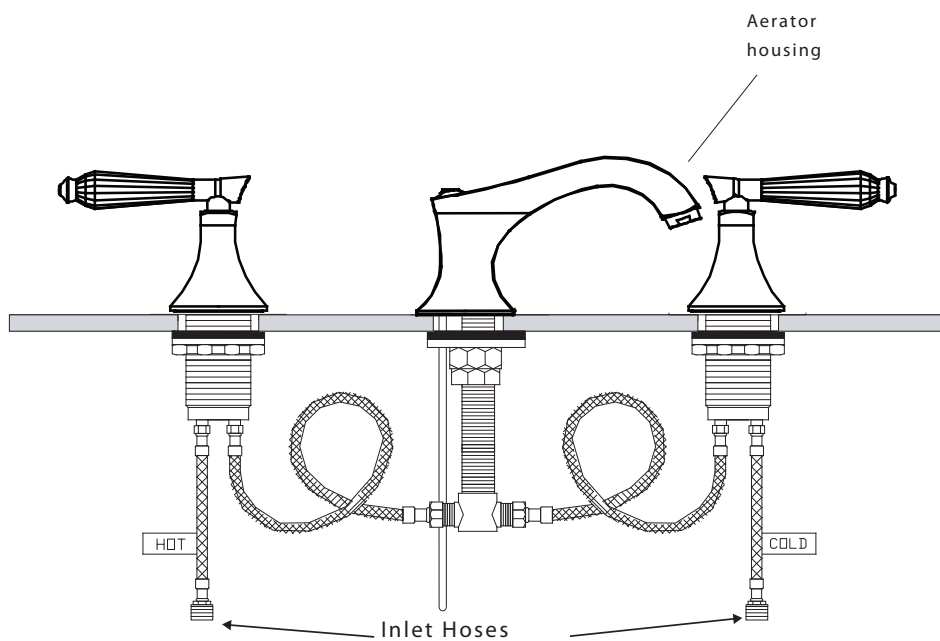
Handle Trim

Handle Trim Installation (3)

Loop and connect the flexible hoses to the tee connector. Tighten to avoid leakage.

Connect and tighten the inlet hoses to the supply lines.

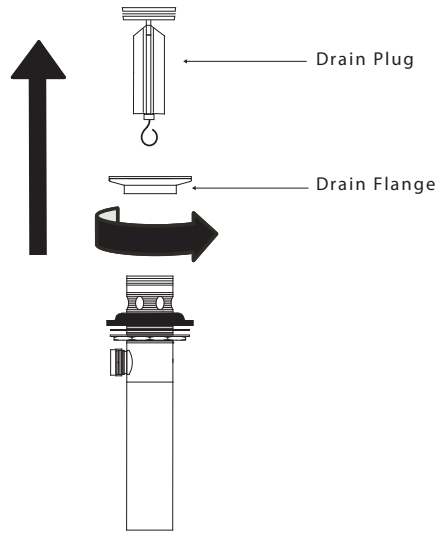
After the connections have been made, carefully remove the aerator housing by unscrewing it counter-clockwise. Turn on the water supply at the valves beneath the sink or counter and check for leakages at all joints. If water leaks from any of the connections, tighten the connection until the leakage stops. If no leakage, slowly turn the handles to the full open position and let the water flush for approximately 45 seconds. This can prevent damages to the ceramic cartridges caused by debris in the supply lines. When finished flushing out system, carefully screw the aerator housing back into the spout.



Pop Up Drain

Pop Up Drain Installation (1)

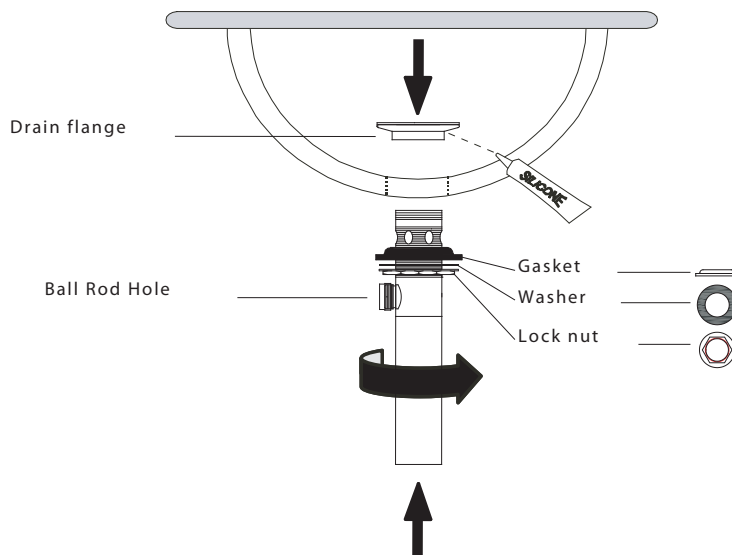
Remove drain flange and drain plug from pop-up assembly.



Apply a ring of silicone caulking to underside of drain flange. Do not use plumber's putty which can damage finish.

Insert threaded end of the assembly up from below sink.

Completely thread drain body into drain flange and align with ball rod hole facing back. Then tighten lock nut from below. Clean excess silicone with paper towel.



Pop Up Drain

Pop Up Drain Installation (2)

Insert drain plug into drain flange. Make sure the adjustable eye-screw of the drain plug is facing back so that the ball rod will properly fit into it.

Insert ball rod washer into drain body followed by the ball rod, 2nd washer and ball rod nut. Tighten the ball rod nut until snug.

Gently push the horizontal ball rod down to place the plunger in the up position. Connect the lift rod with the ball rod and tighten securely by hand.

Test pop-up for smooth operation and adjust if necessary.

