

BAROSA COLLECTION

'MC' STYLE HANDLE TRIM FOR 4-PORT, 5-PORT AND STOP VALVES



INSTALLATION INSTRUCTIONS

TEST FOR PROPER FUNCTION BEFORE CLOSING WALLS!

FLUSH BOTH SUPPLY LINES BEFORE INSTALLATION

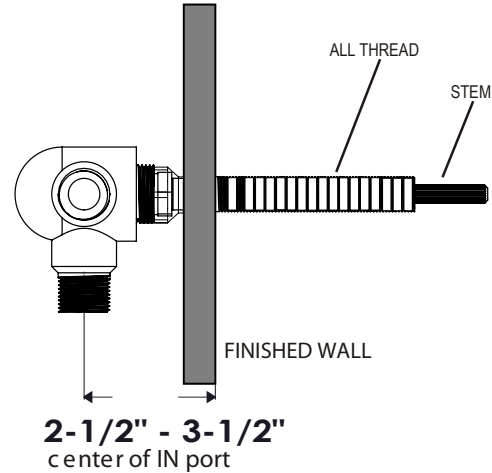
AFTER FLUSHING, SHUT OFF BOTH SUPPLY LINES.

MINIMUM HOLE SIZE FOR THE HANDLE TRIMS IS 1-5/8" AND MAXIMUM OF 1-3/4"

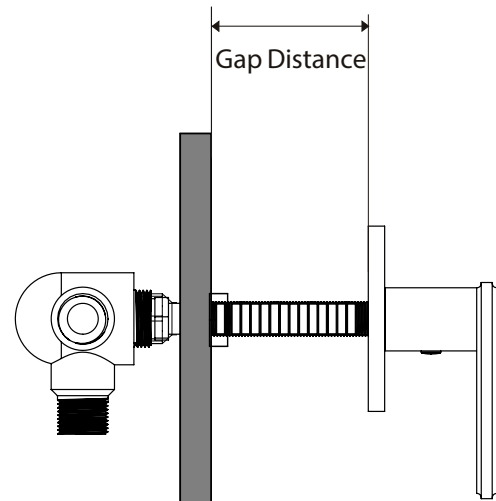
INSTALLATION INSTRUCTION

INSTALLING THE VALVE WITH THE TRIM

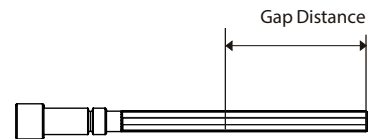
1. Install the valve onto the wall with at least 2-1/2" space between the center of the valve inlet and the finished wall. Insert the all thread and stem onto the valve



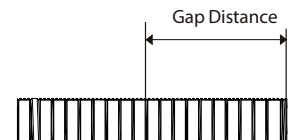
2. Screw the washer, brass nut, and handle onto the all thread, press them firmly against the wall and mark the Gap Distance. Remove the handle, nut and washer. Remove the all thread and stem. *(Leave a small gaping between the back of the handle and escutcheon. If you have metal sitting directly on top of metal.)*



3. Cut the Gap Distance both all thread and stem



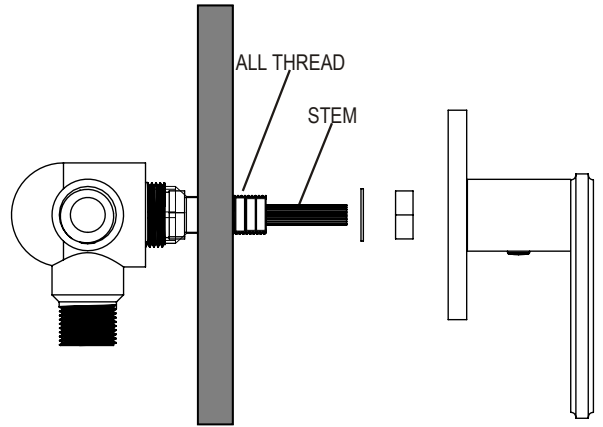
-Cut off the gap distance measurement from the broach extension.



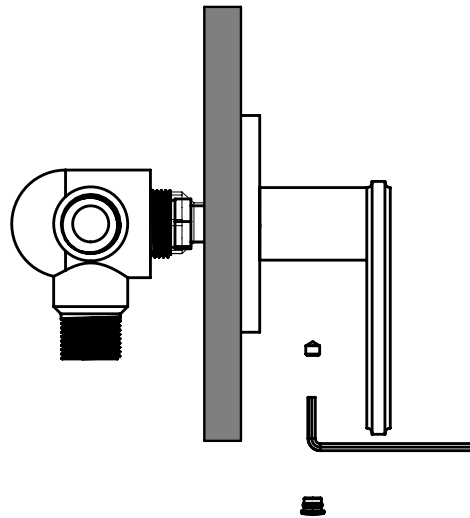
-Cut off the gap distance measurement from the all thread.

INSTALLATION INSTRUCTIONS

4. Reinsert the nut, washer and handle onto the stem.



5. Using the Allen Key provided, tighten the handle set screw firmly.



ITEM NO.	PART NUMBER	DESCRIPTION	QTY.
1	PH29975	Nova/Monz a Angle Stop Plate	1
2	YY-MC	Barosa Widespread Handle	1
3	PM-494	M5 x 8 mm Set Screw	1
4	PM-281	O-ring	1
5	PM-378	Plug	1
6	PM-205	Allen Wrench	1
7	PM-346	Brass Nut	1
8	PM-974	Teflon Washer	1
9	PM-007-1	20T Broach Extension	1
10	PM-955	All Thread	1
11	PM-020	Teflon Washer for Extensions	2
12	PM-017	O-Ring	1
13	PM-956	Nut	1

