

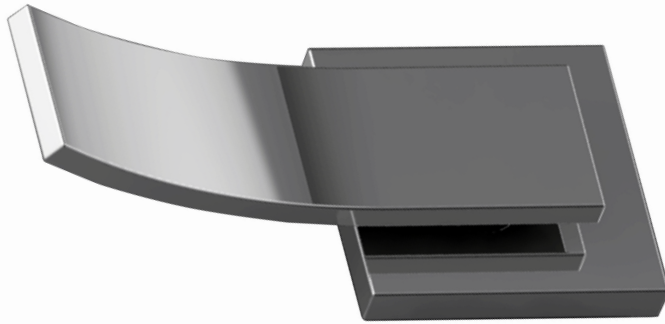


ITEM NUMBER

YY-CU-TM

AVA COLLECTION

'CU' STYLE HANDLE TRIM FOR 4-PORT, 5-PORT AND STOP VALVES



INSTALLATION INSTRUCTIONS

TEST FOR PROPER FUNCTION BEFORE CLOSING WALLS!

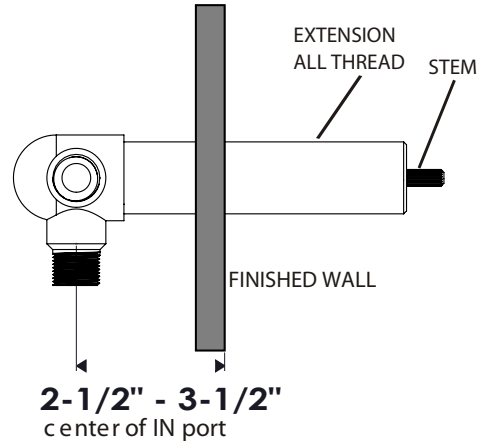
FLUSH BOTH SUPPLY LINES BEFORE INSTALLATION
AFTER FLUSHING , SHUT OFF BOTH SUPPLY LINES.

MINIMUM HOLE SIZE FOR THE HANDLE TRIMS IS 1 5/8" AND MAXIMUM OF 1 3/4"

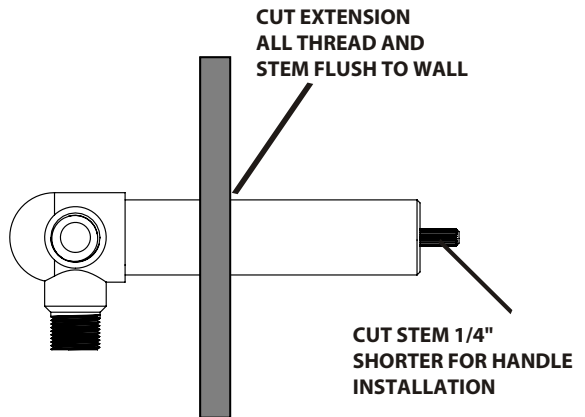
INSTALLATION INSTRUCTION

INSTALLING THE VALVE WITH THE TRIM

1- Install the valve onto the wall with at least 2-1/2" space between the center of the valve inlet and the finished wall.

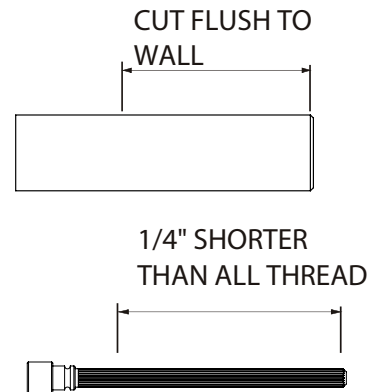


2- Screw the extension all thread and stem onto the valve making sure it is all the way in.



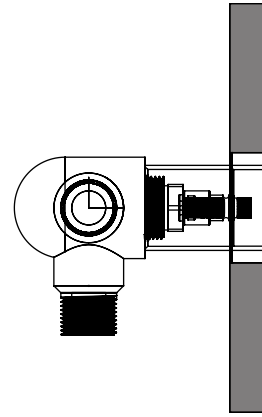
3- Mark the extension all thread flushed to the wall, remove it and cut. Do the same with the stem but this time cut 1/4" less than the extension thread in order to attach handle.

4- Cut off the excess All Thread and Stem (remember to cut the Stem 1/4" shorter)



INSTALLATION INSTRUCTIONS

5 - Replace the handle onto the stem.
Tighten the handle set screw firmly.



6 - Apply the finish trim.

