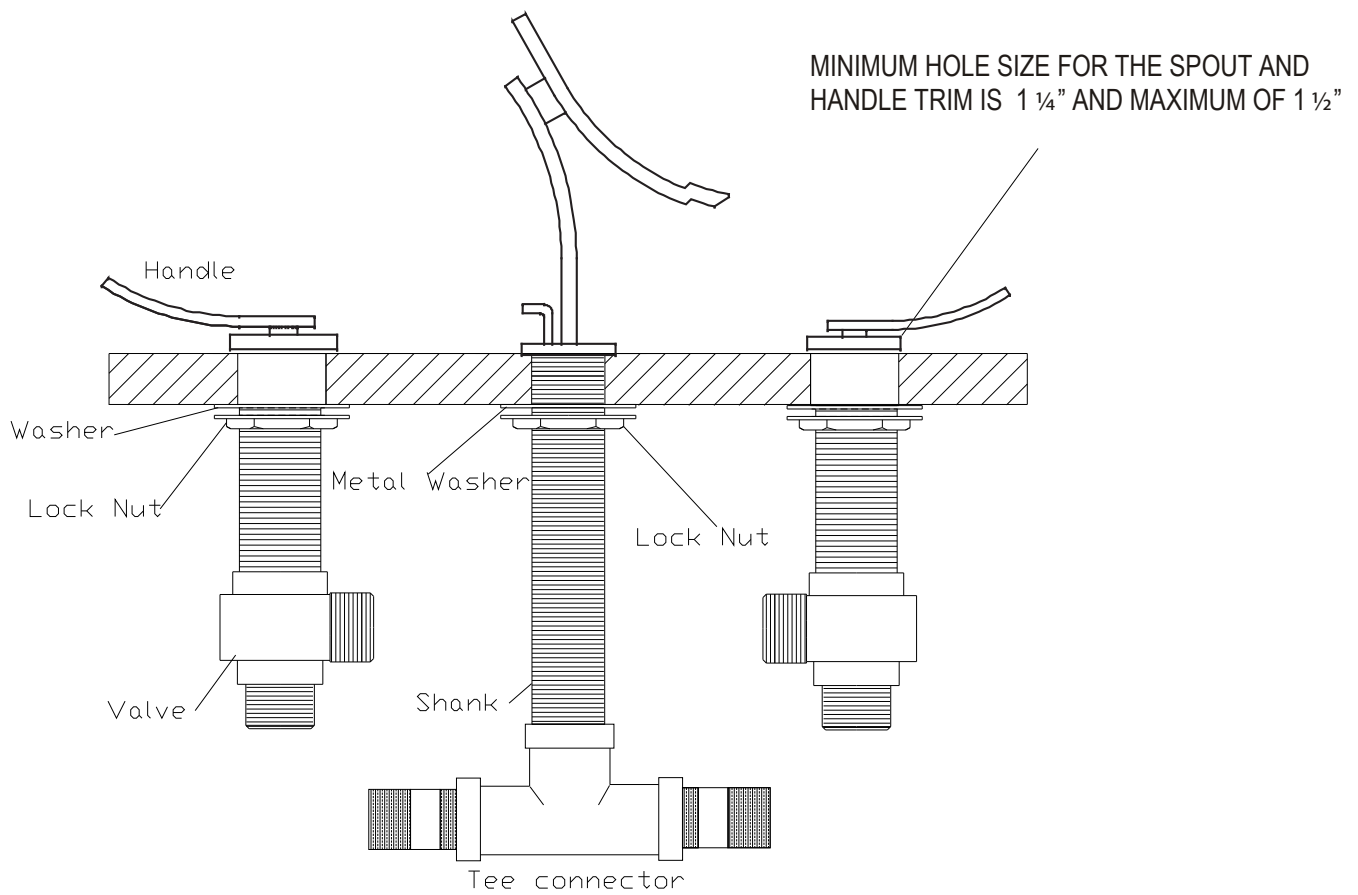


ROMAN TUBS

This is a general installation instruction
for the following collections:

* AVA

PLEASE READ THE INSTRUCTIONS COMPLETELY
BEFORE BEGINNING THE INSTALLATION.



*** NOTE: SHUT OFF WATER SUPPLY BEFORE BEGINNING INSTALLATION***

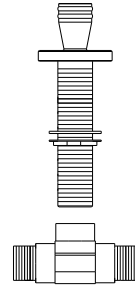
INSTALLATION INSTRUCTIONS

S POUT INSTALLATION

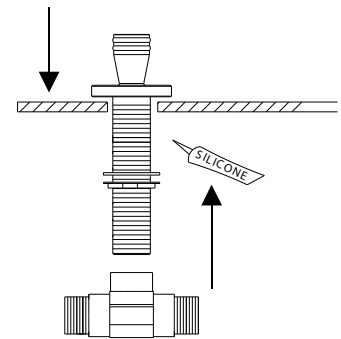
FLUSH BOTH SUPPLY LINES BEFORE INSTALLATION.
AFTER FLUSHING, SHUT OFF BOTH SUPPLY LINES.

MINIMUM HOLE SIZE FOR THE SPOUT AND HANDLE TRIM IS 1 -1/4"
AND MAXIMUM IS 1 -1/2"

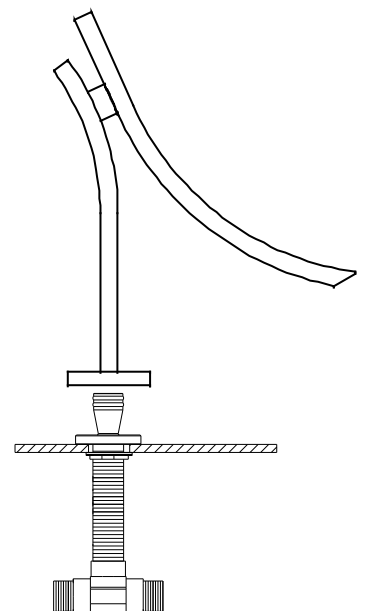
1. Remove the tee connector and spout mounting hardware from quick connect shank being sure to leave on brass plate.



2. Apply a ring of silicone caulking around hole designated for spout. DO NOT USE PLUMBERS' PUTTY, WHICH CAN DAMAGE FINISH.
3. From the top of the deck, slip the quick connect shank through the assigned spout hole.
4. Secure the quick connect shank by putting the washer and lock nut back on the shank. Tighten the lock nut firmly.



5. From the top of the deck, slip the spout with the flange and flange washer onto the quick connect shank top. Align the spout and tighten the set screw with the Allen key provided.
6. Connect the tee connector to the spout shank.

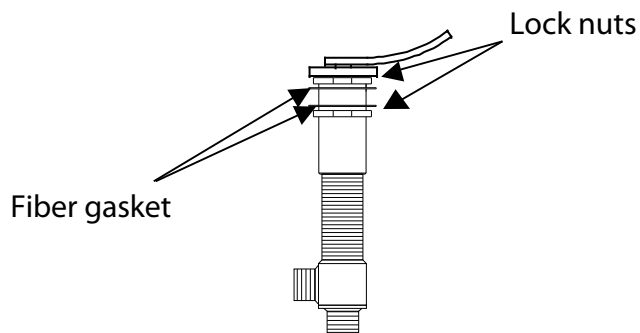


HANDLE TRIM INSTALLATION

MAXIMUM DECK THICKNESS 1". DEPENDING ON DECK THICKNESS, IT MAY BE NECESSARY TO COUNTERSINK FROM BELOW.

Step 1

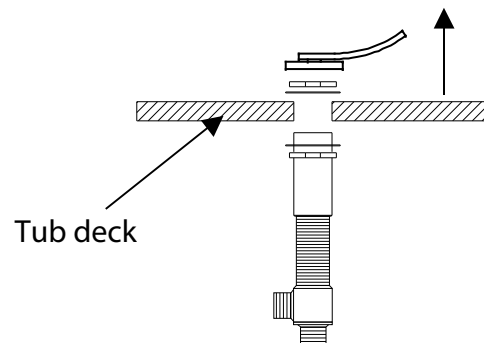
1. Unscrew pre-assembled handle trim from the valve body. Hot valve assembly "Red" to be mounted on left. Cold valve assembly "Blue" to be mounted on right.



Step 2

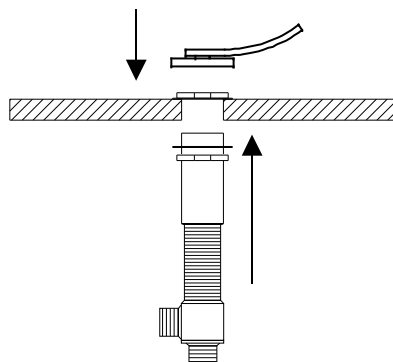
1. Remove the top lock nut and the fiber gasket from the valve body.
2. Apply a ring of silicone caulking around the handle hole on deck top.

DO NOT USE PLUMBERS' PUTTY, WHICH CAN DAMAGE FINISH.



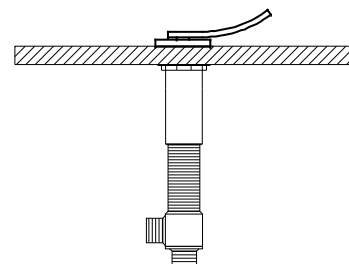
Step 3

1. Slip valve body up from below tub deck.
2. Place the top lock nut and the fiber gasket back onto the valve body until the top surface of the lock nut is flush with the top surface of the valve body.
3. Secure the top lock nut in place before inserting the handle.



Step 4

1. Align handles with respect to the spout and tighten bottom lock nut until secure.



WATER TEST

- Turn on the cold water supply.
- Use the handle from the faucet set to turn the valve on and off.
- Check for leaks. If water leaks from any of the connections merely tighten the connections until the leak stops.
- Repeat the same procedure for the hot water supply.

SANTEC RECOMMENDS:

- The use of teflon tape or equivalent on all threaded joints.
- The installation of hard plumbing, not flex connections for all connections.
- An access panel provided for all roman tub installations.

