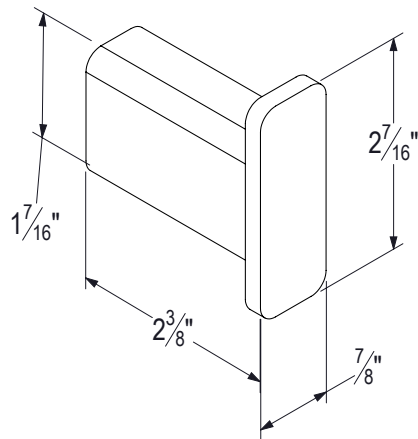
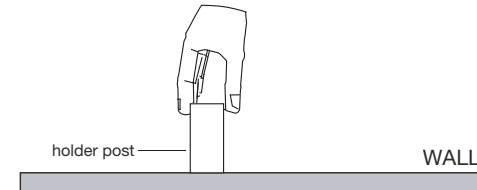


MODEL: 2466SQ10
2466SQ75



Installation Instructions

1. Place the post against the assigned wall location. Make sure that the holder is leveled. Mark the holder post position.

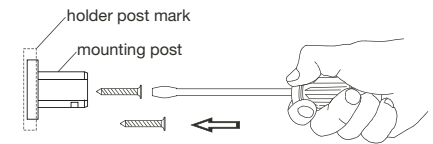


2. Using the Allen key provided, remove the holder post from the mounting post. Press the mounting post against marked post position on the wall and mark the screw hole positions.

NOTE: MAKE SURE THE ALLEN SCREW HOLE ON THE MOUNTING POST IS FACING DOWN WHEN SECURING TO WALL.

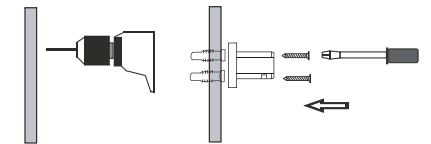
INSTALLING ON WOODEN SURFACE

For wooden surface, the mounting post can be secured by screwing the screws directly into the wall.



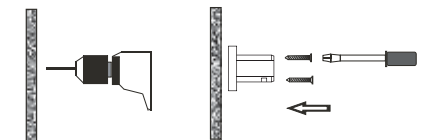
INSTALLING ONTO DRYWALL SURFACE

Using a drill, pre-drill holes for the anchors. Insert the anchors into the wall. The mounting post can be secured by screwing the screws into the anchors.



INSTALLING ONTO A SOLID SURFACE

Measure the dimensions carefully. Using a drill, pre-drill the holes. Secure the mounting post by screwing the screws into the wall.



Installation Instructions

3. Press the holder post over the mounting post. Align the holder and secure it by tightening the set screw.
4. Check the holder post to make sure it is firmly secured. If not, tighten the set screw with the Allen key.

