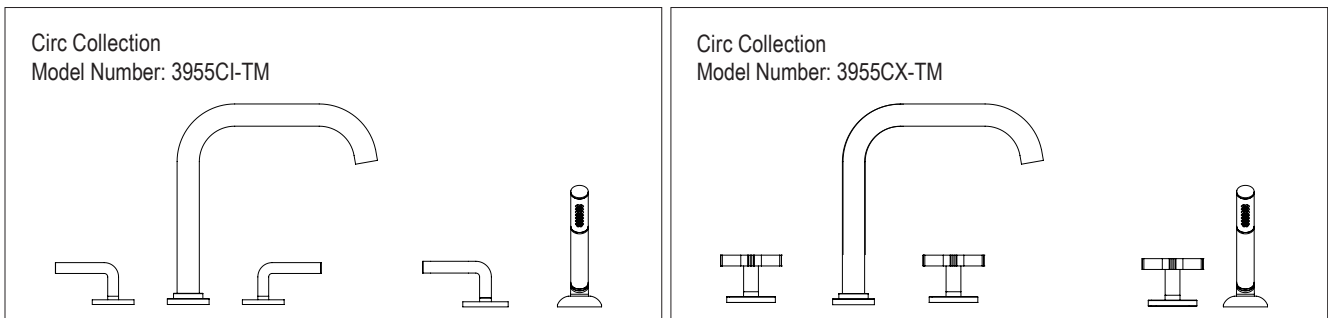


*Please read the instructions completely before beginning the installation.*

---

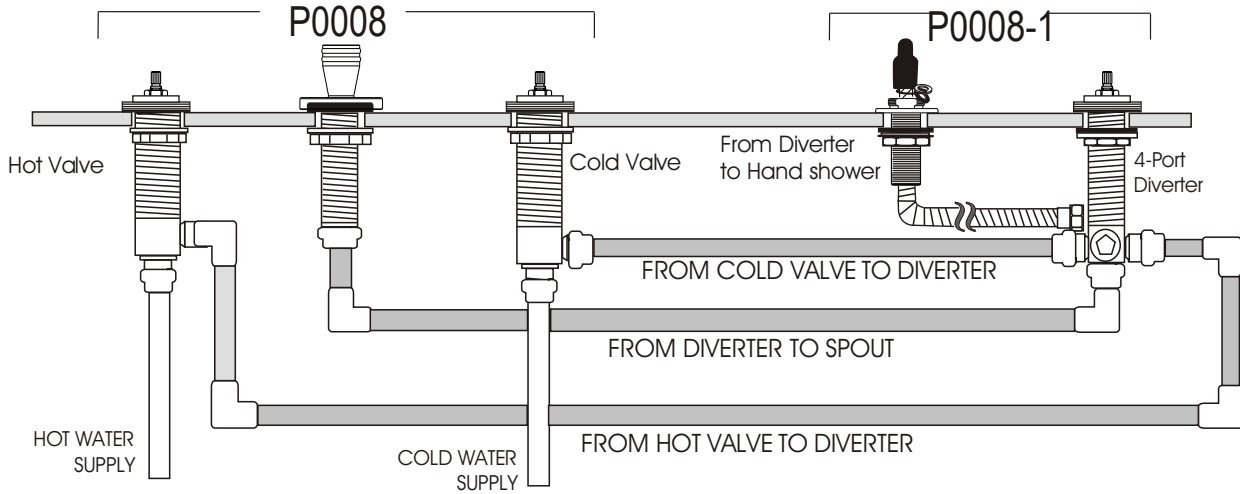


---

Flush both supply lines before installation, then shut off both supply lines.  
Minimum hole size for the spout and handle trim is 1-1/4" and maximum of 1-1/2"

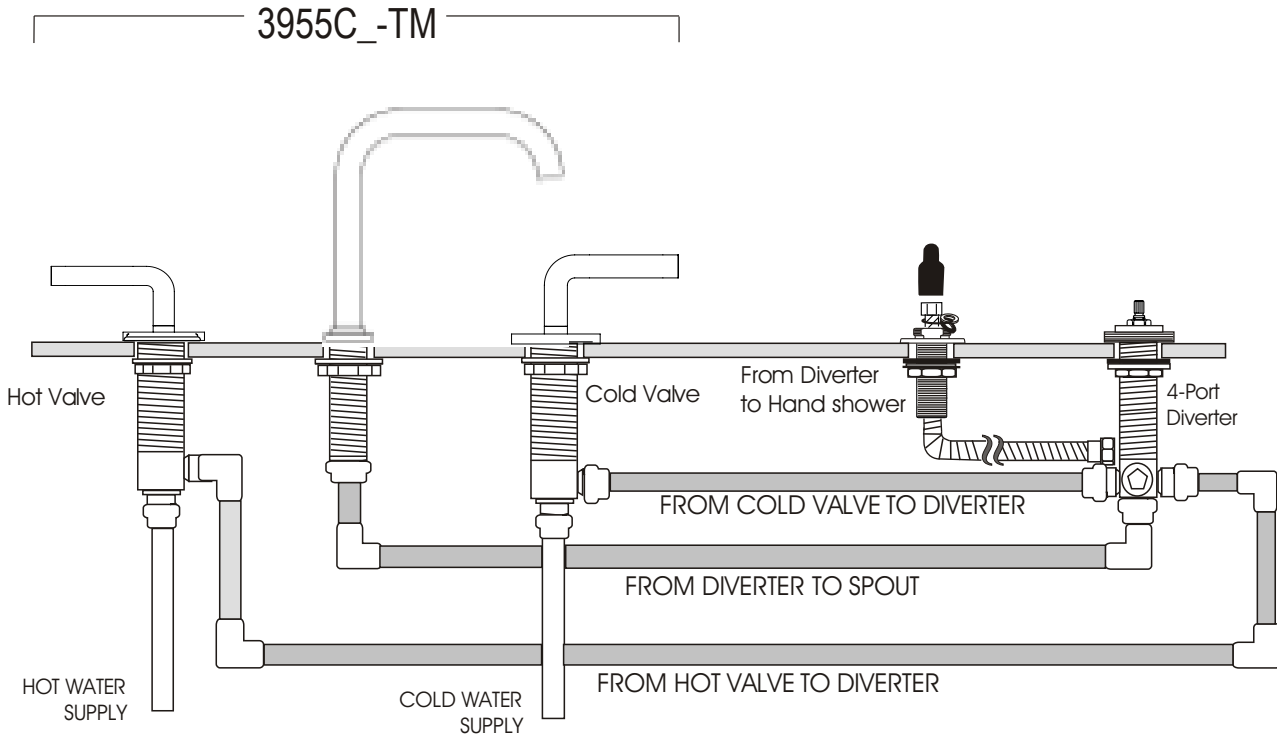
# 1. ROUGH INSTALLATION

MAKE SURE THE ROUGH IN FOR THE ROMAN TUB FILLER (P0008) AND HAND HELD SHOWER (P0008-1) ARE INSTALLED. ( DO NOT REMOVE THE PROTECTANT CAPS PRIOR TO TRIM INSTALLATION)



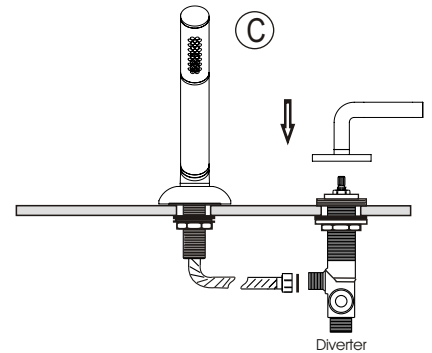
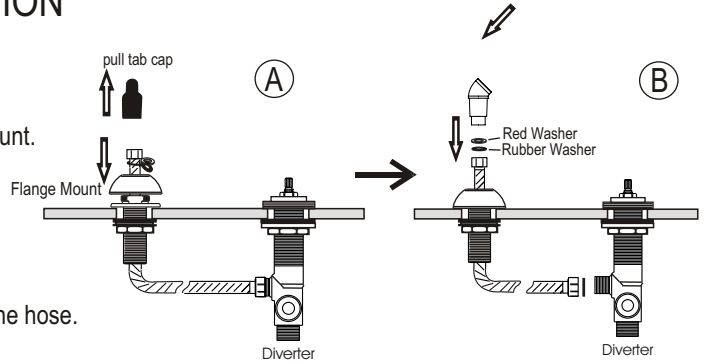
# 2. ROMAN TUB FILLER INSTALLATION

THIS HAND HELD SHOWER UNIT IS TO BE INSTALLED WITH 3955C\_-TM ROMAN TUB FILLER TRIM UNIT. FOR THE ROMAN TUB FILLER INSTALLATION PLEASE REFER TO 3950C\_-TM INSTALLATION INSTRUCTION.



### 3. HAND HELD SHOWER TRIM INSTALLATION

- A.**
- Slip the flange through the hose and screw it onto the shower flange mount.
- B.**
- Take off the slip tab cap.
  - Take off the rubber band with rubber and red washers.  
MAKE SURE THAT THE HOSE DOES NOT FALL INTO THE FLANGE MOUNT.
  - Install the hand held shower unit with the rubber and red washers onto the hose.
- C.**
- Screw the handle trim onto the diverter's base ring.  
Make sure the handle lever is aligned properly



### 4. WATER TEST AND FLUSH THE LINE

PLEASE REFER TO 3950C\_-TM INSTALLATION INSTRUCTION

- After all the connections have been made, remove the spout's aerator housing basket and washer.
- Turn on the water on both hot and cold sides and flush the lines for 45 seconds.
- Turn off the water and reinsert the washer, basket and Housing.
- Turn on the water and check for leakages at all joints. If water leaks from any of the connections tighten the connection until the leakage stops.

