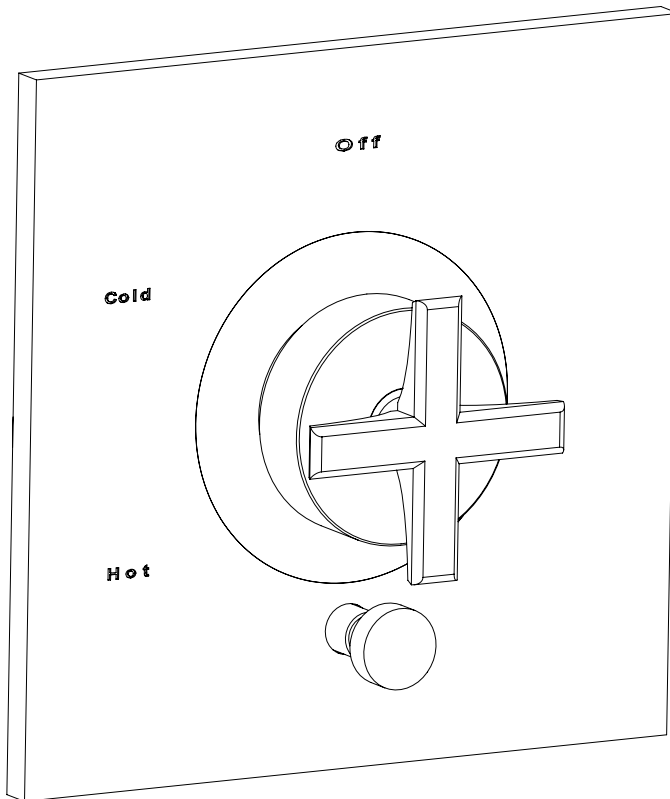
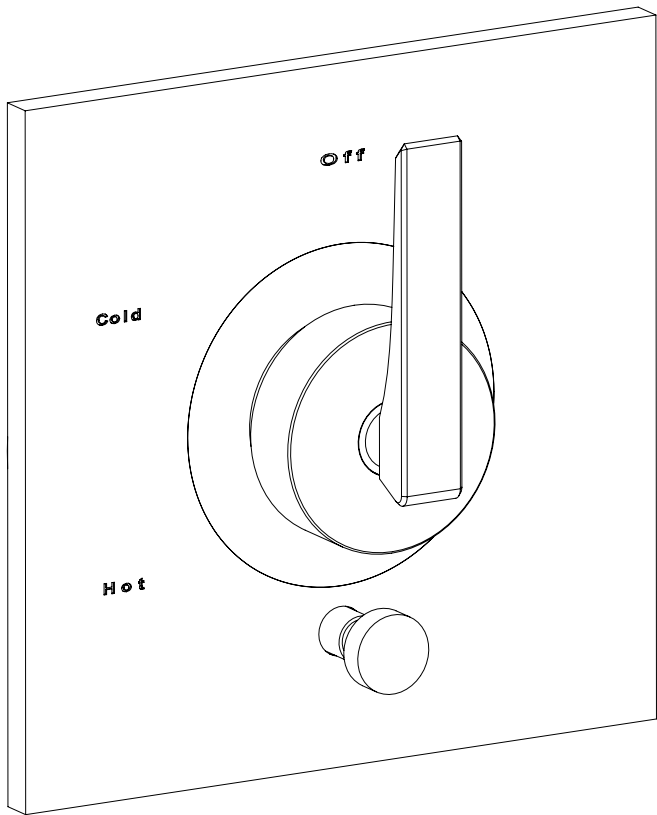


# SANTEC

FLUID IMAGINATION

E-SERIES: KATANA COLLECTION  
PRESSURE BALANCED WITH DIVERTER/TRIM ONLY

MODEL: 4735SQ  
4735SR



KEEP THIS INSTRUCTION BOOKLET FOR FUTURE REFERENCE

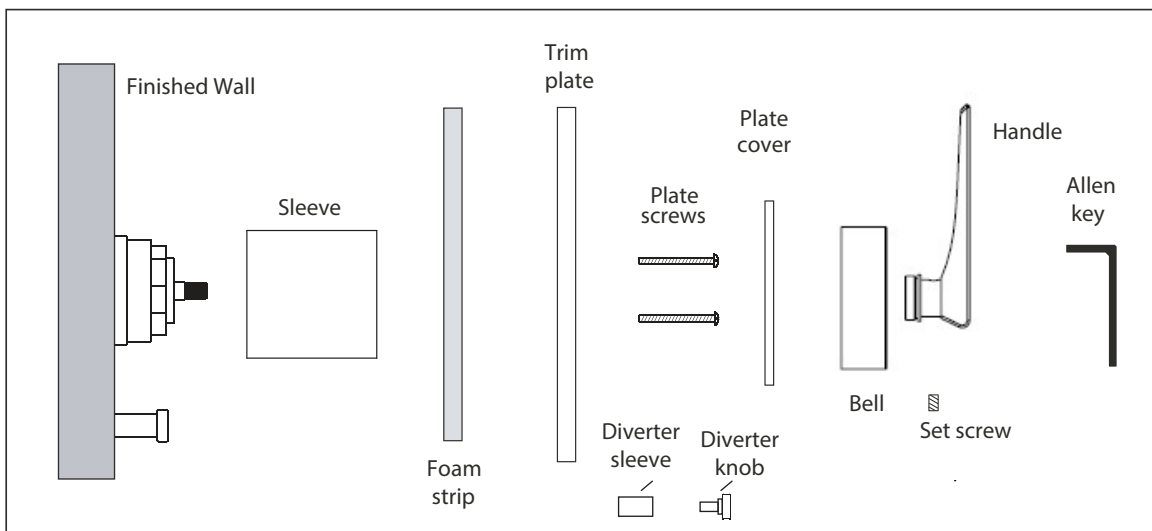
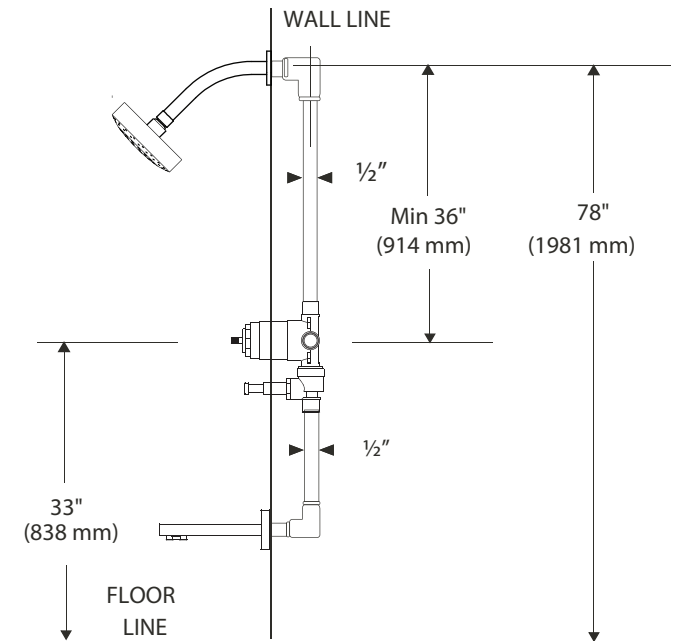
# Specifications

## Description

This product is precision engineered to provide satisfactory performance provided it is installed and operated in accordance with our recommendations contained in this manual. In order to fully enjoy the comfort, safety, and the reliability of your pressure balancing valve, be certain to familiarize yourself with the contents of this manual.

## Specification and Dimensions

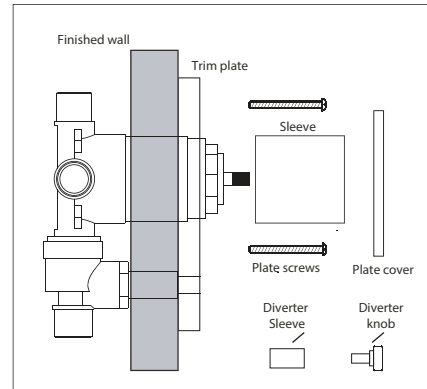
- Minimum operating pressure 20 psi
- Maximum operating pressure 145 psi
- Maximum test pressure 500 psi
- Hot and cold water inlets 1/2" IPS
- Shower outlet 1/2" IPS
- Flow capacity 5 USgpm @ 50 psi



# Trim

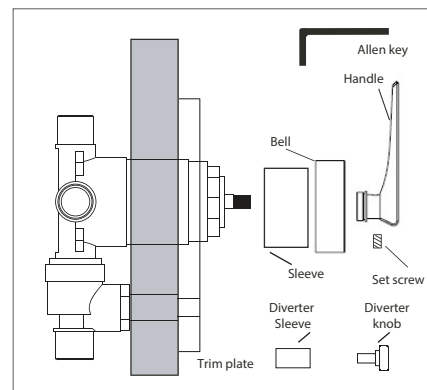
## TRIM PLATE & PLATE COVER

- Fit sleeve onto valve until it bottoms out.
- Place foam strip around the inner edge of the shower plate.
- Press the shower plate against the wall.
- Screw the 2 plate screws through the plate holes and onto the valve's screw holes. Tighten both screws firmly.
- Fit the plate cover over the sleeve and press it all the way into the trim plate.



## HANDLE

- Insert the handle onto the valve stem. Turn the handle clockwise until it reaches the end. Reposition the handle to
- Using the provided Allen key, insert the set screw onto the handle, then press the handle against the valve's stem tighten firmly.
- Adjust the height of the handle if it is scraping against the shower plate.
- Insert the plug into the handle set screw hole.



## DIVERTER

- Thread the diverter sleeve onto the valve
- Thread the diverter knob through the sleeve onto the valve

