

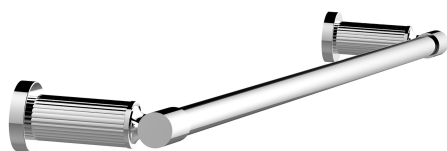
# SANTEC

FLUID IMAGINATION

DESIGNER SERIES

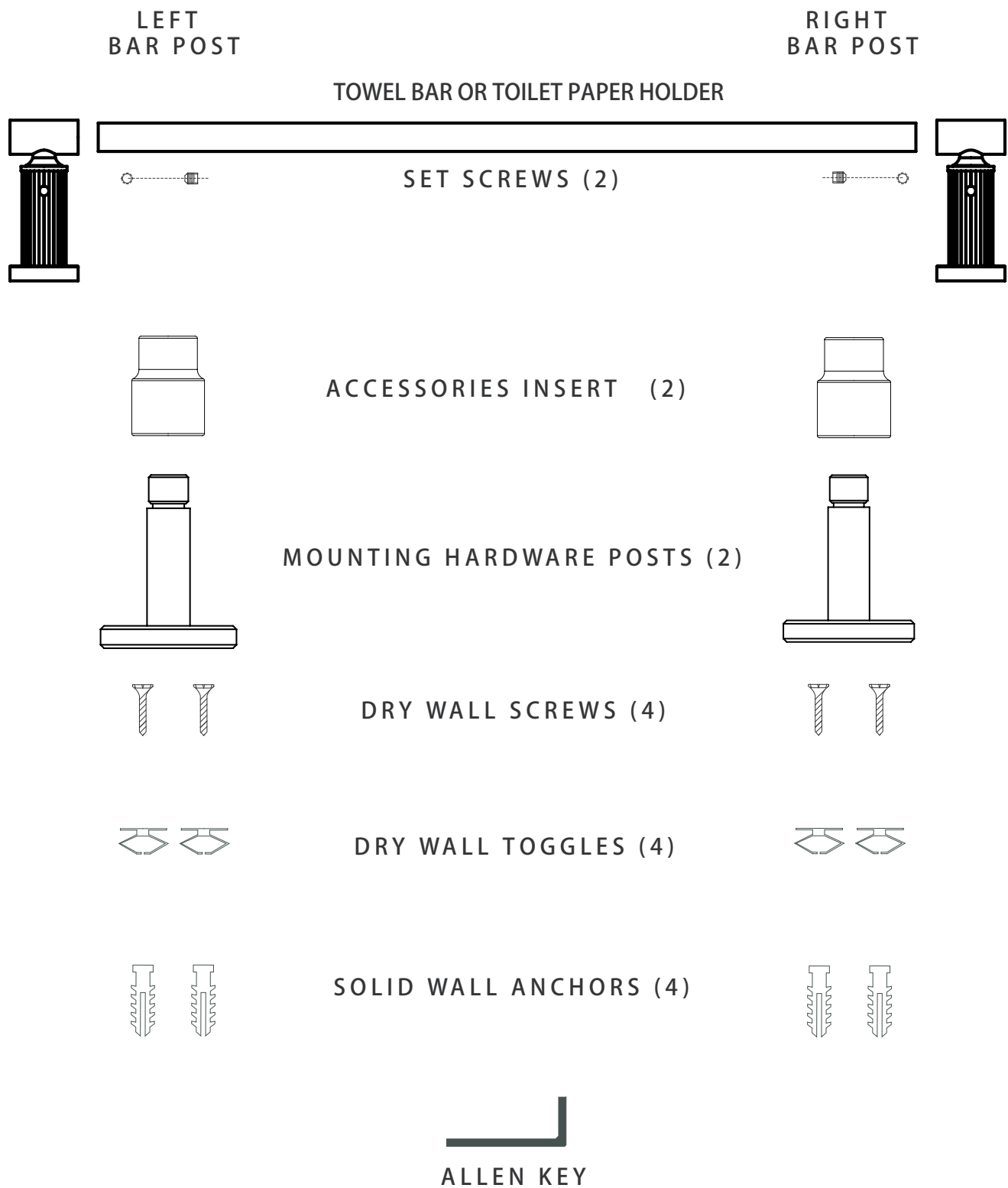
---

TOWEL BAR &  
TOILET PAPER HOLDER



# PARTS BREAKDOWN

---



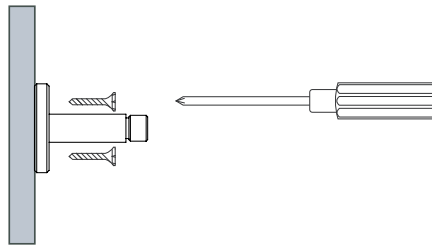
# TOWEL BAR & TOILET PAPER HOLDER

---

Remove the Mounting Hardware Post from the Bar Posts by unscrewing it from the adapter and use them as references for positioning. Make sure that the Bar is level and the Bar Post positions are correct.

## Installing On Wooden Surface

For wooden surface, the Mounting Hardware Posts can be secured by threading the Screws directly into the wall.



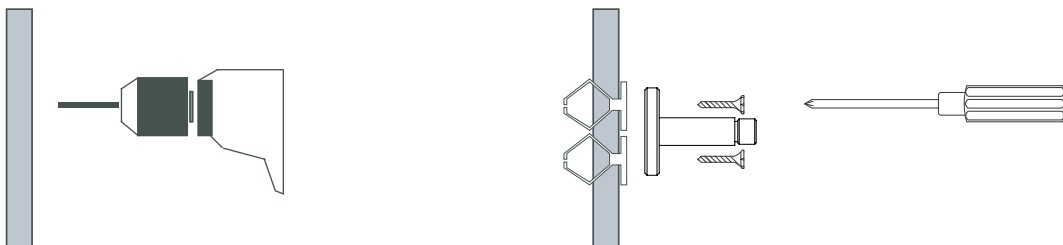
## Installing On Drywall

Mark the four screw hole positions by using the Mounting Hardware Post.

Using a drill, pre-drill holes for the Dry Wall Toggles.

Fold the Dry Wall Toggle's leg and insert it into the wall.

The Mounting Hardware Posts can be secured by screwing the Screws into the Toggles.



# TOWEL BAR & TOILET PAPER HOLDER

---

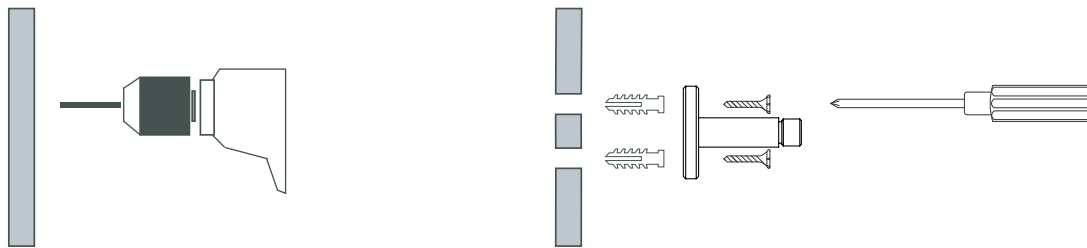
## Installing On Solid/Hard Surface

Measure the dimensions carefully, mark the four screw hole positions by using the Mounting Hardware Post.

Using a drill, pre-drill the holes.

Insert Anchors into the wall.

Secure the Mounting Hardware Posts by tightening the Screws into the Anchors.



## Measuring the Mounting Hardware Posts

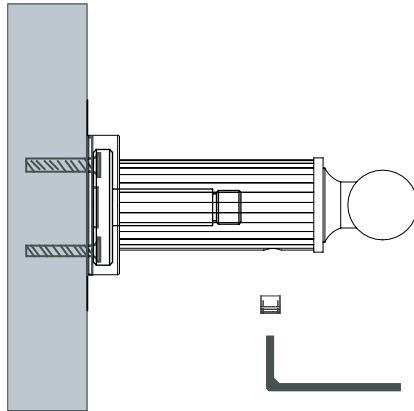
After assembling the first mounting Hardware Post at the desired height, slip one side of the towel Bar into the Mounting Hardware Post and the second post on the wall. mark above ,below, right, and left of the post with a pencil and remove the towel bar assembly. Connect the two lines to find the center.

Place the center of the other Mounting Hardware Post over the mark and check with a level to make sure the height of both is the same. When level and centered, mark the screw hole positions.

# TOWEL BAR & TOILET PAPER HOLDER

---

## Securing In Position



Using the allen key provided, loosen the set screws.

Set the bar posts apart from each other onto a flat surface with openings facing each other .

Position the flange on the mounting post hardware.

Screw the mounting hardware adaptor to the post hardware.

screw the mounting post to the flange.

Insert the towel bar into both left and right unsecured bar posts.

Make sure the towel bar assembly is fitted together securely.

Lift the towel bar assembly to the wall and align with the mounting posts.

Slip the towel bar assembly over the left and right mounting hardware posts.

Adjust the bar posts if necessary and secure by firmly tightening the set screws with the provided allen key.